



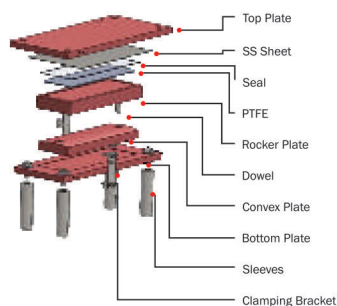
PTFE ROCKER BEARING

PTFE Rocker Bearing transfers vertical load and horizontal loads. it allows movement and rotation along one axis.

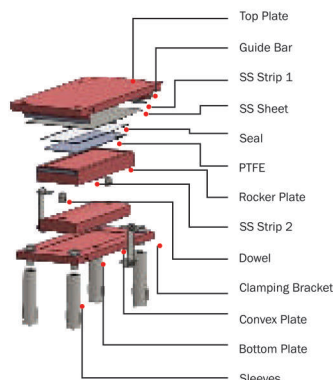
They are further categorized into three types based on its functions

TYPE	PTFE ROCKER Free Bearing	PTFE ROCKER Guided Bearing	ROCKER Fixed Bearing
Load Bearing	YES	YES	YES
Movement	IN BOTH DIRECTION	ONLY IN ONE DIRECTION	NO
Rotation	ALONG ONE AXIS	ALONG ONE AXIS	ALONG ONE AXIS

PTFE Rocker Free Bearing



PTFE Rocker Guided Bearing



Rocker Fixed Bearing

